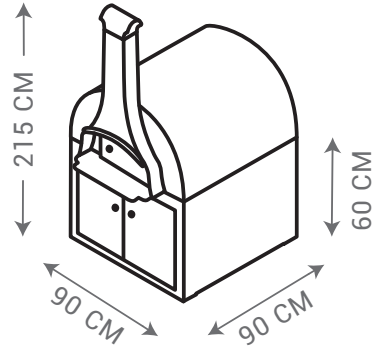


SMALL PIZZA OVEN

- Fire brick floor
- Thermal concrete lining
- Temperature gauge
- Heavy duty support base

Weight including bricks:
Approx. 500kg

Internal cooking size:
70 CM x 54 CM



Looks and cooks great. A large cooking area for roasts, bread & pizza.

LARGE PIZZA OVEN

- Fire brick floor
- Thermal concrete lining
- Temperature gauge
- Heavy duty support base

Weight including bricks:
Approx. 1000kg

Internal cooking size:
75 CM x 100 CM

