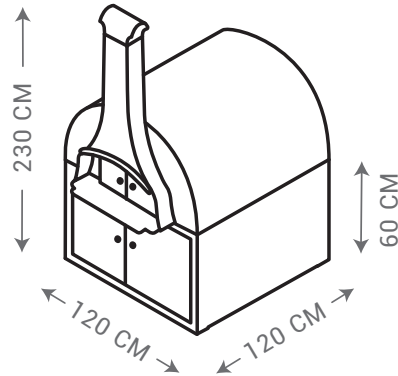


### SMALL PIZZA OVEN

- Fire brick floor
- Thermal concrete lining
- Temperature gauge
- Heavy duty support base

Weight including bricks:  
Approx. 500kg

Internal cooking size:  
70 CM x 54 CM

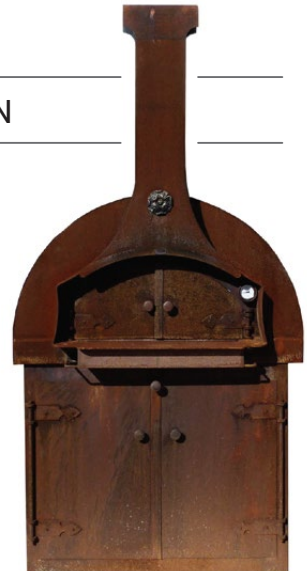


### LARGE PIZZA OVEN

- Fire brick floor
- Thermal concrete lining
- Temperature gauge
- Heavy duty support base

Weight including bricks:  
Approx. 1000kg

Internal cooking size:  
75 CM x 100 CM



Looks and cooks great. A large cooking area for roasts, bread & pizza.

### BBQ FIRE BOWL

- Ø110 CM steel cooking plate
- Removable cooking grill
- Can be used as a stand-alone fire bowl
- Heavy duty support base
- Includes removable metal cover

